

**BUSHING for in-oil application FMB0m-250**

Deadbreak operation - Rating 250 A

(Multipoint contact)

**formfit**<sup>®</sup>**APPLICATION****Utilisation**

- in-oil insulated equipment (transformers, switchgear,...).
- indoor or outdoor installation.
- insulation voltage up to 24 kV ( $U_m$ ).
- continuous 250 A rms  
overload 300 A rms (8 hours per 24-hour period).
- operated when de-energized.
- interchangeable with 250 A porcelain bushings

**STANDARDS**

Generally meets the requirements of C33-001 - C33-051 -  
C 66-555 - EN 50180 - EN 50181.

**QUALITY ASSURANCE**

The Company has been assessed by third party and found  
in conformity with the requirements of the standard ISO  
9001 - EN 29001.

**PACKING**

Supplied as a kit of 3 pieces.

*Shipping weight and volume (approx) of kit :*  
4.5 kg / 0.025 m<sup>3</sup>

**INSTALLATION FEATURES**

- the bushings are fastened to the equipment by means of  
clamps or flanges.
- vertical or horizontal position.
- 4 attaching tabs for locking brace of separable connector  
or of dead-end receptacle.
- **may only be energized once separable connector or  
dead-end receptacle installed.**

**OTHER PRODUCTS**

- Associated products such as separable connectors  
FMCS-250, FMCE-250 and accessories.

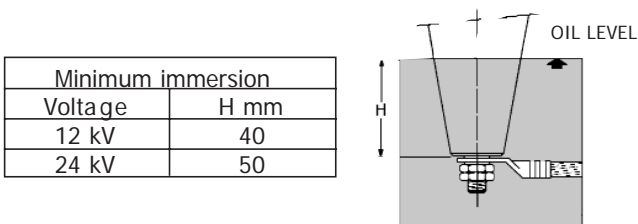
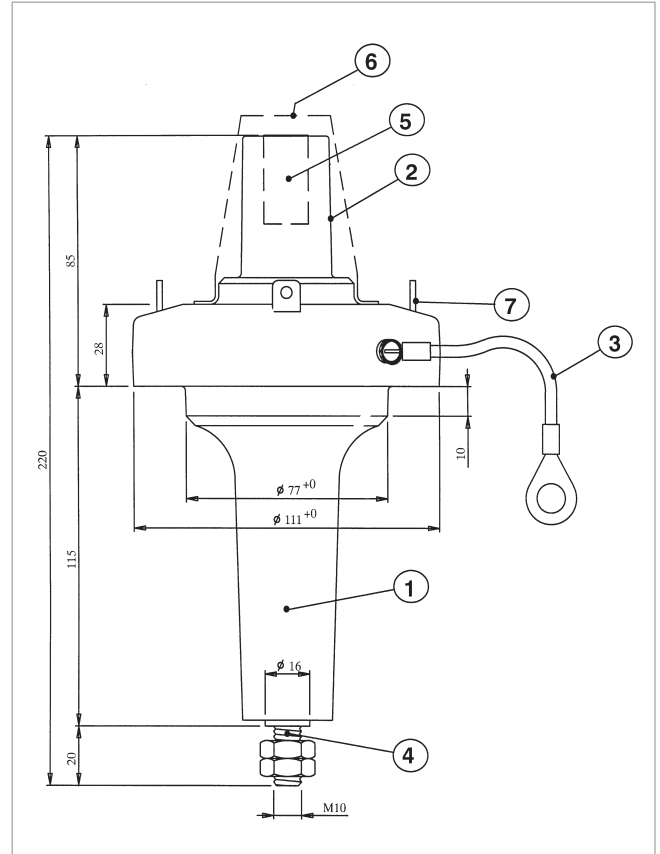
## BUSHING for in-oil application FMBOm-250

Deadbreak operation - Rating 250 A (Multipoint contact)

**formfit**

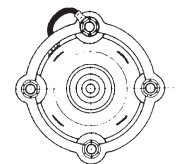
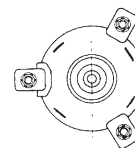
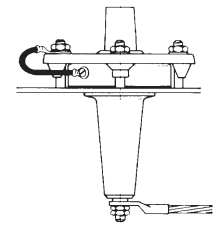
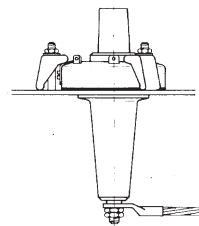
### DESCRIPTION

- ① **Body**  
Moulded in epoxy powder with electrode insert, suitable for immersion in oil.
- ② **Interface A**  
Part which accepts the mating interface of a connector or of an accessory. The elastic sealing pressure prevents the ingress of moisture.
- ③ **Earthing**  
The electrode insert is connected to earth by a stainless steel plate or by a stranded copper lead.
- ④ **Bushing rod**  
Copper rod, with lower part threaded to allow connection to MV windings.
- ⑤ **Socket contact**  
Sliding contact of multipoint type which accepts the pin of the mating item.
- ⑥ **Cap**  
For mechanical protection of the interface during storage and transport. The cap cannot be used for electrical protection.
- ⑦ **Attaching tabs**  
For the locking brace of the separable connector or of the dead-end receptacle.



FASTENING SYSTEM  
NF C 52 053  
(CLAMP)

FASTENING SYSTEM  
DIN 42538  
(FLANGE)



### SELECTION GUIDE

1. Select model according to insulation voltage ( $U_m$ ) in kV : **12 - 24**
2. Select earthing device according to bushing fastening system :
  - "Q" : plate for system NF C 52-053.
  - "K" : lead for system DIN 42538 or NF C 52-053.

**The bushing fastening system is not supplied.**

### EXAMPLE OF ORDER

24 kV, 250 Amp., in-oil application, DIN fastening system (flange) : **FMBOm-250-24-K.**

**IMPORTANT :** before using this product, you must check if it is suitable for your intended application. You assume all risks and liability associated with such use. If any doubt, please consult us.