

INDOOR SINGLE CORE TERMINATION - ELTImb-1C

for polymeric cables - Slip-on termination - Monobloc type

elasticfit**APPLICATION****Utilisation**

- indoor.
- in boxes and compact switchgears.
- in terminal boxes located outdoor and subject to condensation.
- in partly flooded boxes.

Cables

- single core polymeric insulation (PE, XLPE, EPR...).
- copper or aluminium conductor.
- semi-conducting screen either extruded or taped.
- metallic screen of tape, wire or polylam type.
- non-armoured or armoured (either tape or wire type).
- insulation voltage up to 24 kV (U_m).
- conductor sizes : 35 to 240 mm².

STANDARDS

Generally meets the requirements of VDE 0278 -
ANSI/IEEE 48 - C 33-001 - HD 629-1 - IEC 60502-4.

QUALITY ASSURANCE

The Company has been assessed by third party and found in conformity with the requirements of the standard ISO 9001 - EN 29001.

PACKING

Supplied as a kit of 3 single core terminations containing all the necessary components, except the lugs (supplied on request).

Shipping weight and volume (approx) :

- ELTImb-1C 1.5 kg/0.006 m³

INSTALLATION FEATURES

- no need for special tools, no heating or filling.
- vertical or angled position.
- energizing may take place immediately after completion of termination.
- components slipped over the cable using a special lubricant.

**OTHER PRODUCTS**

- indoor and outdoor elastic terminations (modular) for 1/C polymeric cables up to 36 kV, ELTI-1C, ELTO-1C.
- indoor and outdoor elastic terminations (modular) for 3/C polymeric cables up to 36 kV ELTI-3C, ELTO-3C.

INDOOR SINGLE CORE TERMINATION - ELTImb-1C

for polymeric cables - Slip-on termination - Monobloc type

DESCRIPTION

- ① **Conductor lug**
Copper or aluminium. Crimped, deep indented or bolted type.
- ② **Insulation body**
Moulded from non-tracking silicone rubber. Designed for condensation resistance, ensures watertightness of earthing device.
- ③ **Stress relief tube**
Integrated in insulation body. Controls the distribution of the electrical field at the cable screen cutback.
- ④ **Lug cover** (only used for 24 kV)
Moulded from non-tracking silicone rubber. Positioned over end of insulation body and over barrel of lug to prevent moisture penetration.
- ⑤ **Earthing device**
Fitted as necessary, depending on cable design (T1-T2-T3) and on box or switchgear characteristics.

SELECTION GUIDE

1. Select in both tables below the kit model corresponding to the insulation voltage and to the conductor size.

Conductor size (*) mm ²	Kit reference		
	Highest Voltage U _m		
	12 kV	17.5 kV	24 kV
35	ELTImb-1C-12-B	ELTImb-1C-17-B	ELTImb-1C-24-B
50			
70			
95			
120			
150	ELTImb-1C-17-C		ELTImb-1C-24-C
185			
240			ELTImb-1C-12-C

(*) for guidance only

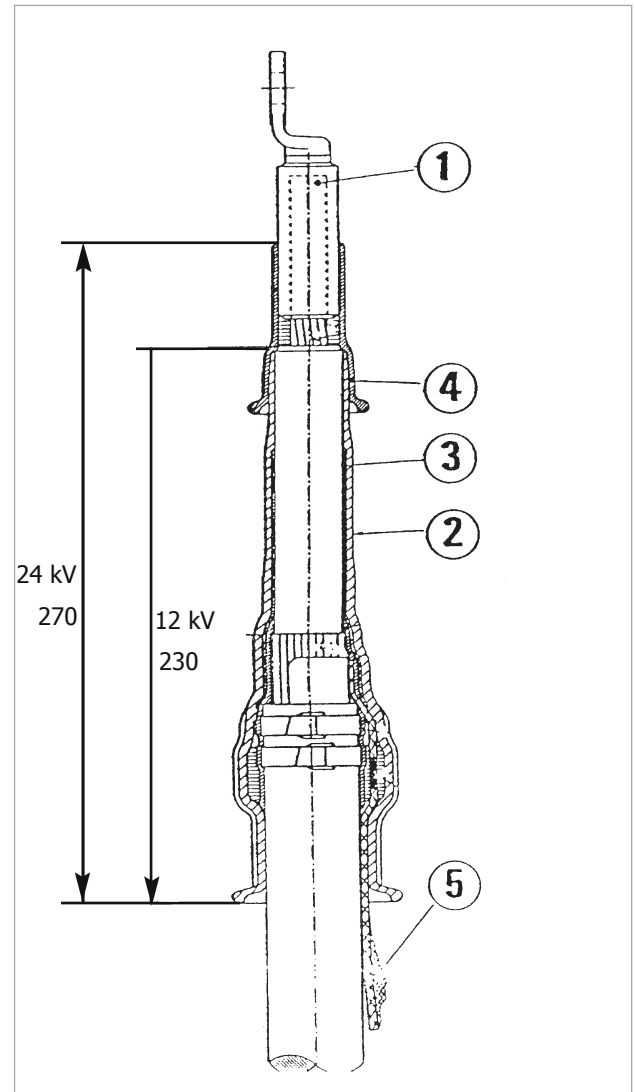
RECOMMENDED DIMENSIONS FOR ELASTIC COMPONENTS

Model	Diameter over cable insulation	
	Min. in mm	Max. in mm
B	15.5	26
C	19.9	32

2. Select suitable earthing device in the table below.

Earthing Device Reference	Type of Metallic Screen of cable
T1	polylam
T2	copper tapes
T3	copper wires

IMPORTANT : before using this product, you must check if it is suitable for your intended application. You assume all risks and liability associated with such use. If any doubt, please consult us.



EXAMPLE OF ORDER

20 kV single core 50 mm², insulation diameter 20.5 mm, copper wire screen :
ELTImb-1C-24-C-T3