

STRAIGHT THROUGH JOINT - CTJM

Cast resin joint with transparent plastic casing

castfit[®]**APPLICATION****Utilisation**

- jointing polymeric insulated cables of different specifications and/or conductor sizes, and MIND paper insulated cables.
- may be directly buried.
- jointing cables laid underground or in tunnels on horizontal or vertical racks.

Cables

- copper or aluminium conductor.
- three core polymeric insulation (PVC, XLPE, EPR) or paper insulation (MIND type) - screened or belted.
- non-armoured or armoured.
- insulation voltage up to 6 kV.
- conductor sizes : 25 to 300 mm².

STANDARDS

Generally meets the requirements of C 33-001 - VDE 0278 - C89 - HD 629-1.

QUALITY ASSURANCE

The Company has been assessed by third party and found in conformity with the requirements of the standard ISO 9001 - EN 29001.

PACKING

Supplied as a kit containing all the necessary components except the ferrules (supplied on request).

See table of shipping weight and volume (approx.) of kit.

INSTALLATION FEATURES

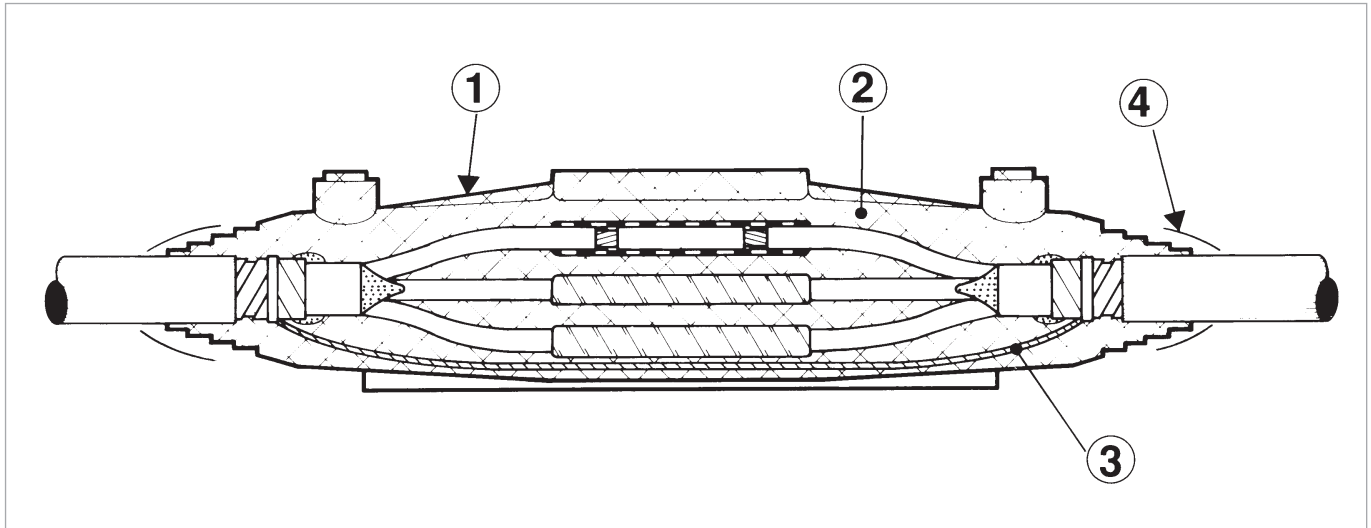
- no need for special tools or heating.
- filling resin cures at ambient temperatures.
- energizing of cable may take place, on average, 30 minutes after filling.
- immediate energizing is also possible following special procedures.

OTHER PRODUCTS

- joint for low voltage cables 1 kV (Um) - CTJL
- also suitable for telephone and signal cable with special resin.

STRAIGHT THROUGH JOINT - CTJM

Cast resin joint with transparent plastic casing



DESCRIPTION

- ① **Casing**
Casing is made of two shells of transparent thermoplastic material which are snapped together or fastened by slides.
- ② **Insulating material**
Wrapping of EPR tape and synthetic resin supplied in pre-dosed bags or in cans.
- ③ **Continuity of screen and armour**
Insulated cable of appropriate size.
- ④ **Sealing**
Self-amalgamating tape or putty.

SELECTION GUIDE

1. Select the kit model from the table on the basis of diameters and sizes (in sqmm) of cables to be jointed.

EXAMPLE OF ORDER

Belted cable 6/6 kV - 3 x 95 mm² armoured
CTJM-J15

| Dimensions mm | Kit model | Cable overall diameter mm | | Maximum size of cables (for guidance only) mm ² | Approx. shipping weight and volume of kit | |
|------------------|-----------------|---------------------------------|------|---|---|----------------|
| | | Min. | Max. | | kg | m ³ |
| | CTJM-J3 | 23 | 39 | 3 x 35 | 1.7 | 0.005 |
| | CTJM-J4 | 28 | 50 | 3 x 70 | 2.2 | 0.008 |
| | CTJM-J15 | 38 | 53 | 3 x 150 | 8 | 0.04 |
| | CTJM-J17 | 62 | 86 | 3 x 300 | 17.5 | 0.07 |